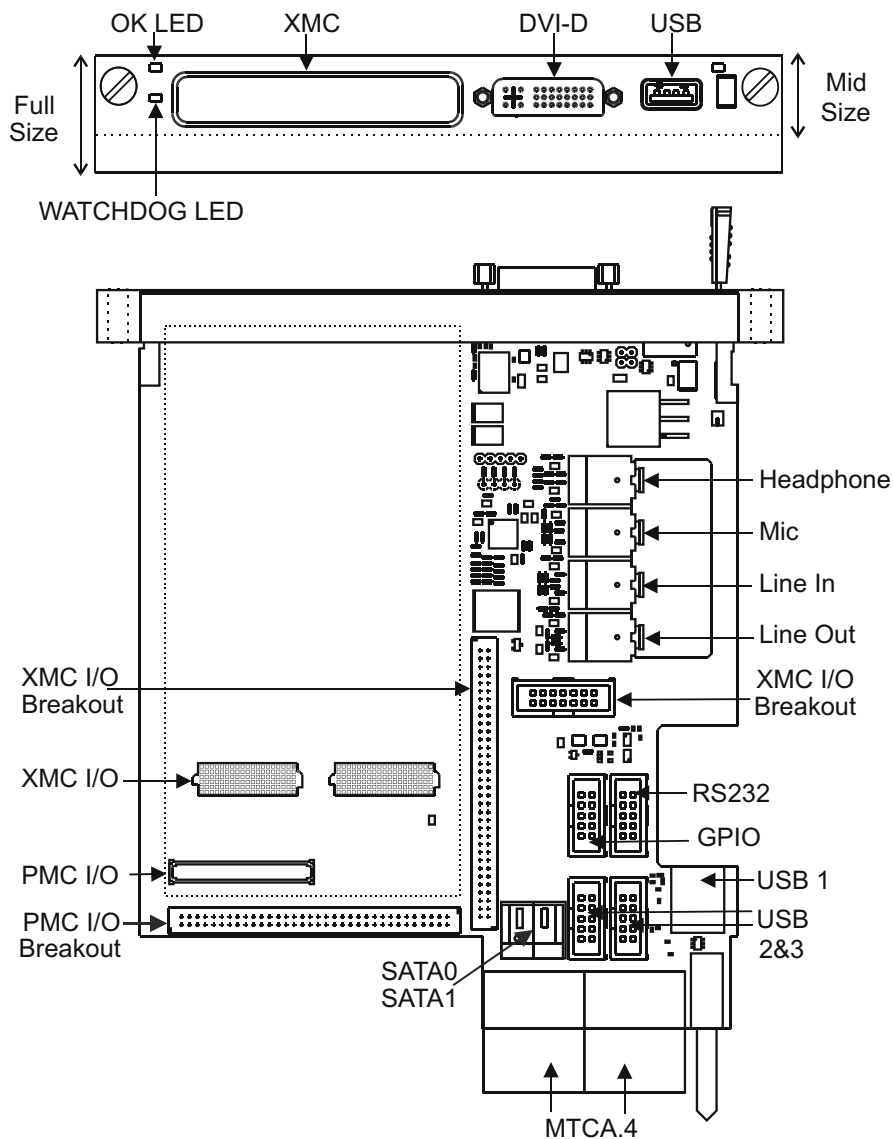


Micro Rear Transition Module

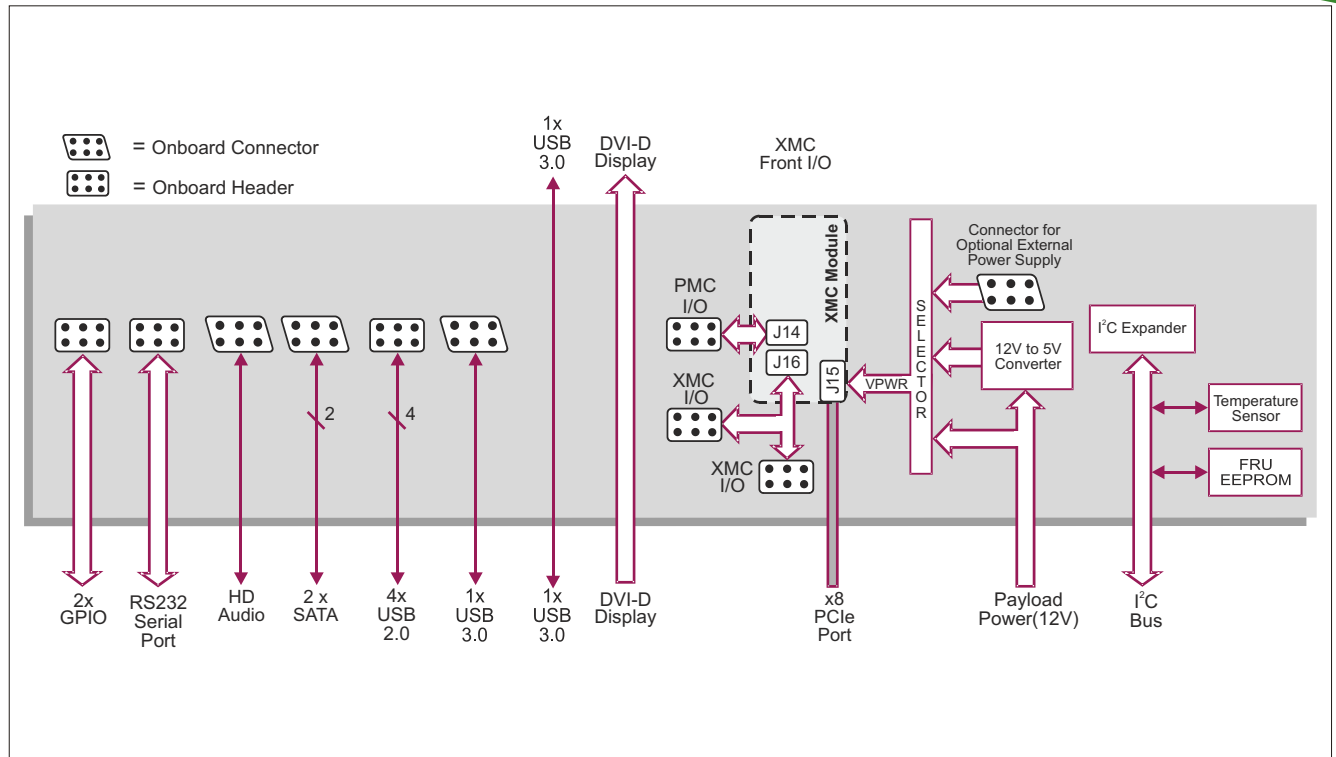
OVERVIEW

The AD AM1/x01 Micro Rear Transition Module (μ RTM) is designed to complement the Concurrent Technologies AM 90x/x1x AMC processor board that is targeted at Physics applications. The AD AM1/x01 μ RTM complies with the MicroTCA.4 specification.

Available in Full-size (AD AM1/201) and Mid-size (AD AM1/401) Double Module variants. The AD AM/x01 grants direct access to the majority of the processor board's I/O functions through the Transition Module's own front panel or via the integral connectors.



BLOCK DIAGRAM



SPECIFICATIONS

Electrical Specification

- all voltages to be within $\pm 10\%$
- +12V@0.24A, +3.3V@0.1A

Environmental Specification

- operating temperatures:
 - 0°C to +55°C
 - -40°C to +85°C (non-operating)
- 5% to 95% Relative Humidity, non-condensing

Mechanical Specification

- AMC.0 Double Module form factor
- Advanced Differential Fabric (ADF) connectors to connect to the AMC
- Height:
 - 19mm for Mid-size variant
 - 29mm for Full-size variant
- Depth 182.50mm
- Width 148.50mm (Double Module)

Further Information

- For further information refer to the board's Technical Reference Manual