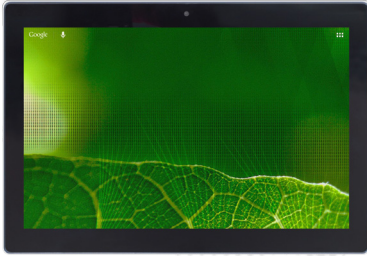


M1014

10.1" Healthcare Infotainment Terminal



System	
CPU	ARM Quad-Core Cortex-A7 1.2GHz (SoC)
GPU	Mali400
Memory	1GB DDR3L memory soldered on board
Storage	8GB NAND Flash soldered on board
Peripherals and Devices	
Camera	2MP front-facing camera
WLAN & Bluetooth	1 x WLAN 802.11 b/g/n & Bluetooth 4.0 + BLE
RFID & NFC	1 x 13.56MHz RFID & NFC reader with ISO 14443A/14443B/15693 support (optional)
I/O Interface	
SD Card	1 x microSDHC/microSD card socket (hidden) (Max. 32GB)
Audio	1 x 3W stereo speaker 1 x 3.5mm earphone jack 1 x built-in microphone
LAN	1 x RJ-45 10/100M with PoE PD support
USB Port	1 x USB 2.0 Type-A port 1 x OTG micro-USB 2.0 (hidden)
Button & Indicator	
Button	1 x Power on/off button 2 x Volume up/down buttons 1 x Reset button (hidden)
LED	Green: DC Jack Orange: PoE
Touch Screen	
Type	10-point Projected Capacitive Multi-Touch
LCD Display	
Size/Type	10.1" TFT, LVDS type
Max. Resolution	1280 x 800 (WXGA)
Contrast Ratio	600:1 (typ.)
Backlight Type	LED
View Angle (U/D/R/L)	77.5°/77.5°/75°/75° (typ.)
Video Streaming	
UDP Streaming	Support multicast UDP stream decode
RTSP Streaming	Support RTSP stream decode
HLS Streaming	Support HLS stream

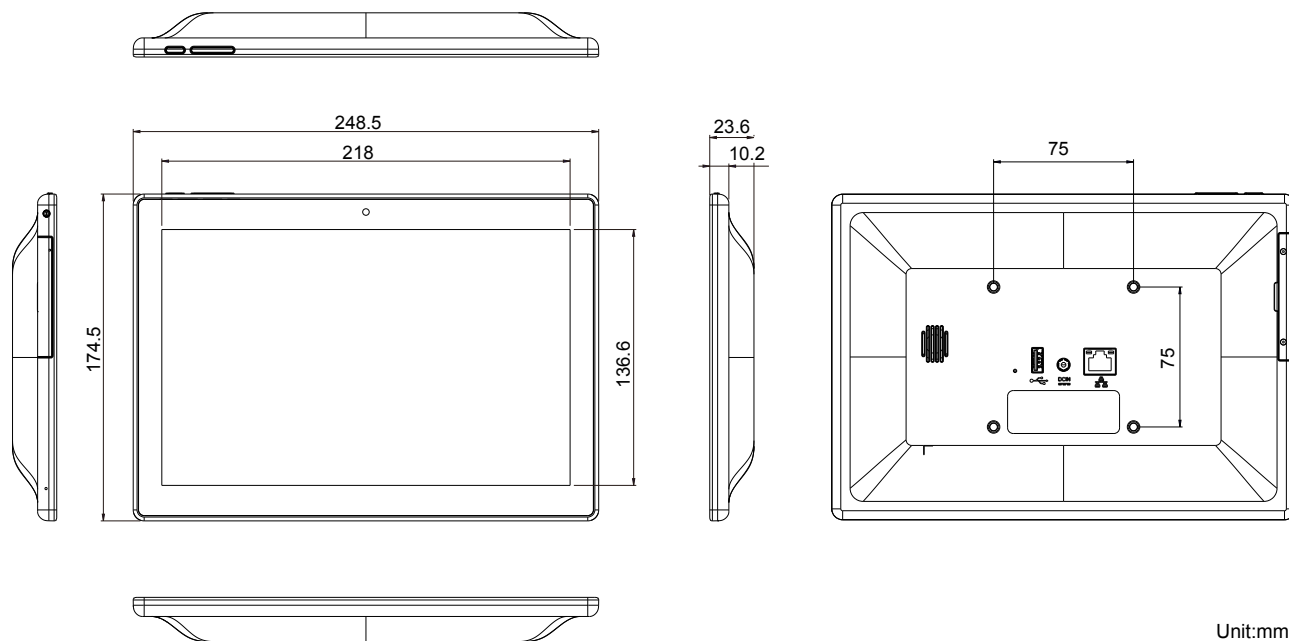
Features

- Quad-Core ARM Cortex-A7 CPU 1.2G Hz, Android-based
- Bedside infotainment and medical thin-client application
- 10.1" LCD display
- 10-point Projected Capacitive Multi-Touch
- H.265/HEVC Video Decode
- IEC & EN 60601-1 (Edition 3.1) and IEC & EN 60601-1-2 (Edition 4th) certified
- PoE connectivity (PD)
- Operating temperature: 0~45°C

Power Requirement	
Power Input	PoE input or Power adaptor input
Adapter Input	100 ~ 240 VAC (full range)
Adapter Output	DC 12V, 2.5A
Mechanical & Environmental	
Operating Temp.	0 ~ 45°C (32 ~ 113°F)
Storage Temp.	-20 ~ 60°C (-4 ~ 140°F)
Operating Humidity	10 ~ 80 % @ 40°C (non-condensing)
Dimensions (W x H x D)	248.5 mm x 174.5mm x 23.6 mm (9.78" x 6.87" x 0.93")
Net Weight	623g (1.38lb)
Vibration	1 Grms/ 5 ~ 500Hz/ random operation
Shock	10G/ peak (11ms)
Mounting	VESA-75 compatible
IP Rating	Compliance design with IP65 (front touch panel)
Operational Altitude	Below 2000m
Regulatory	CE, FCC Part 18 Subpart C IEC & EN 60601-1 Safety (Edition 3.1), IEC & EN 60601-1-2 EMC (Edition 4th)
OS Support	
Android™ 5.1.1	
Ordering Information	
M1014	10.1" terminal with projected capacitive touchscreen, Wi-Fi and front camera



Dimensions



Optional Accessories

PAC-M030W 30W medical-grade AC/DC adapter kit



Rolling Stand Rolling stand (BTO* model)



Optional Configuration (CTOS* Kit) (Not Sold Separately)

RFID & NFC-1014 RFID & NFC module kit



*CTOS means Configure-to-Order Service. BTO means Build-to-Order.