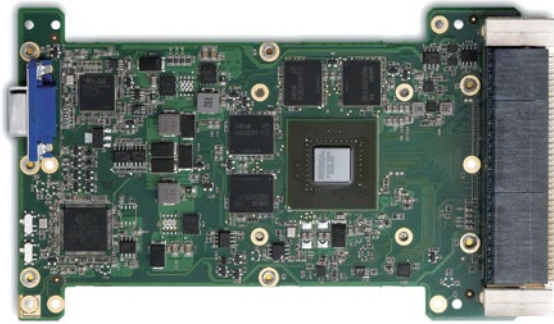


NEW



Features

- NVIDIA GeForce GT 745M GPU (Kepler architecture)
- 384 CUDA cores for maximum processing power
- Dual channel GDDR5 soldered memory, 2GB
- PCIe x16 Gen3 (x16/x8/x4/x1)
- Four single-link DVI and one VGA to P2 (VGA on front panel, air-cooled only)

VPX™ VPX^{REDI}™ OpenVPX™

CONDUCTION COOLED

Specifications

Processor & System

GPU	NVIDIA GeForce GT 745M NVIDIA CUDA Technology(compute capability 3.0), 384 cores NVIDIA Optimus Technology NVIDIA PhysX Technology NVIDIA PureVideo Technology H.264 video encoding High-Bandwidth Digital Content Protection (HDCP) support GPU Boost 2.0 OpenGL 4.4 OpenCL 1.2 Microsoft DirectX 11.1
-----	---

Memory	Dual channel GDDR5 SDRAM with ECC, 2GB 128bit memory interface
--------	---

Display	Digital display support up to 1920 x 1200 Max. Analog display support up to 2048 x 1536
---------	--

VITA Standards	VITA 46.0 VPX Base Standard VITA 46.4 PCI Express on VPX Fabric Connector VITA 48.0 Ruggedized Enhanced Design Implementation Mechanical Base Specification: VITA 65 OpenVPX Architecture Framework for VPX
----------------	--

Module Profile	MOD3-PER-2F-16.3.1-3
Slot Profile	SLT3-PER-2F-14.3.1

Connectivity

PCI Express	1x PCIe x16 Gen3 (x8/x4/x1) to P1
Graphics	One VGA port on front panel (air cooled version) Four single-link DVI and one VGA to P2 (conduction cooled version)

Operating System

OS	Microsoft Windows 7 Microsoft Windows 8 Red Hat Enterprise Linux (Please contact ADLINK for other OS support)
----	--

Miscellaneous

LED	Power good
-----	------------

Mechanical & Environmental

Form Factor	3U VPX 0.8"
	100mm x 160mm (LxW)
Operating Temperature	-40°C to +85°C (at wedge-lock)
Storage Temperature	-50°C to +100°C
RH Humidity	95% non-condensing
Shock	Sawtooth 40G, 11ms, each axis, operating
Vibration	5Hz-2KHz, 12Grms, random, each axis, operating
Power	+5V

Safety & EMI

Certification	CE/ FCC Class A
---------------	-----------------

Ordering Information

Model Number	Description/Configuration
GPGPU Board	
VPX3G10-R	3U VPX NVIDIA GT745M GPU card, conduction cooled
VPX3G10-A	3U VPX NVIDIA GT745M GPU card, air cooled

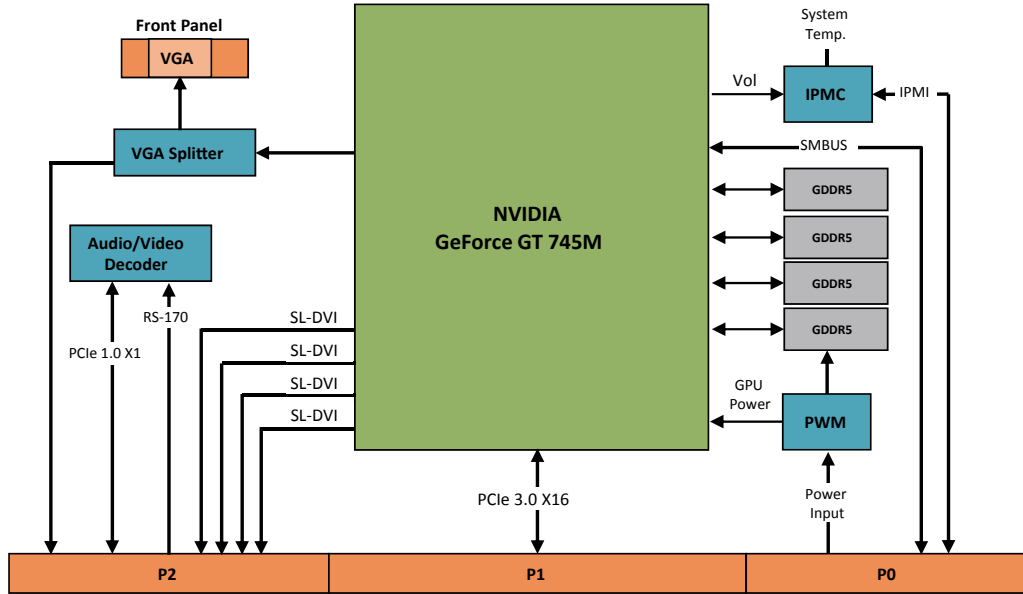


VPX3G10-R



VPX3G10-A

Block Diagram of VPX3G10



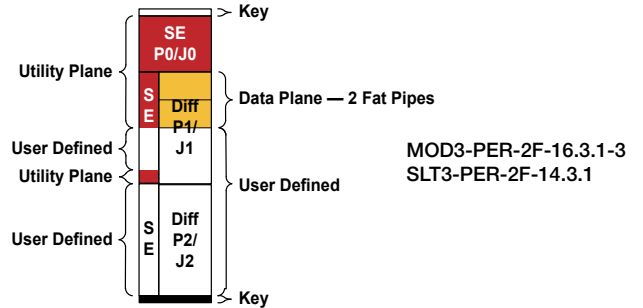
Compatible VPX 3U Processor Blades

OpenVPX Compliant Profiles



VPX3000

- Quad-core i7 35w 3rd Generation Intel® Core™
- 8GB DDR3-1333 soldered ECC SDRAM; 32GB SLC soldered
- Two PCIe x4 Gen2 data plane with NTB
- Two 1000BASE-BX and one 1000BASE-T to P1
- One XMC.3 PCIe x8 Gen2 with Rear I/O
- Support OpenVPX Profile:
- MOD3-PAY-2F2U-16.2.3-3 and MOD3-PAY-1F1F2U-16.2.4-4



Applications

