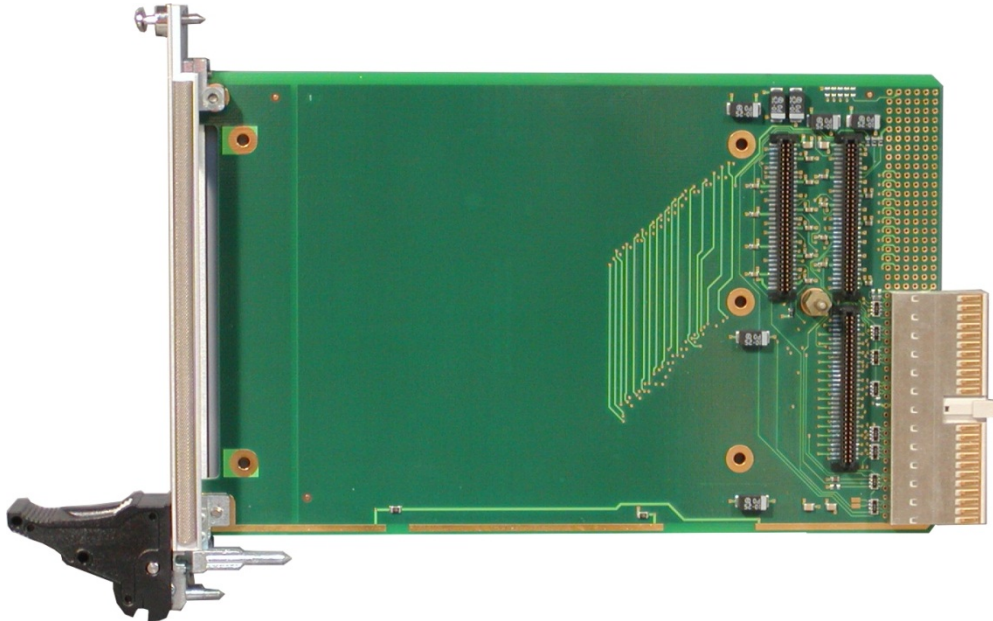


TCP270 PMC Carrier for 3U CompactPCI



Application Information

The TCP270 is a standard 3U CompactPCI carrier that provides front I/O and rear I/O for a single width PMC module. This PMC to 3U CompactPCI adapter is used to build modular, flexible and cost effective I/O solutions with PMC devices in CompactPCI systems.

32 bit / 33 MHz accesses are supported on the PCI bus. The TCP270 is used as a mechanical adaptor to connect a standard PMC module in 3U CompactPCI systems.

The TCP270 supports PMC front I/O and optional CompactPCI rear I/O at CompactPCI connector J2/P2. The pin assignment corresponds to the PICMG 2.3 R1.0 PMC on CompactPCI signal mapping.

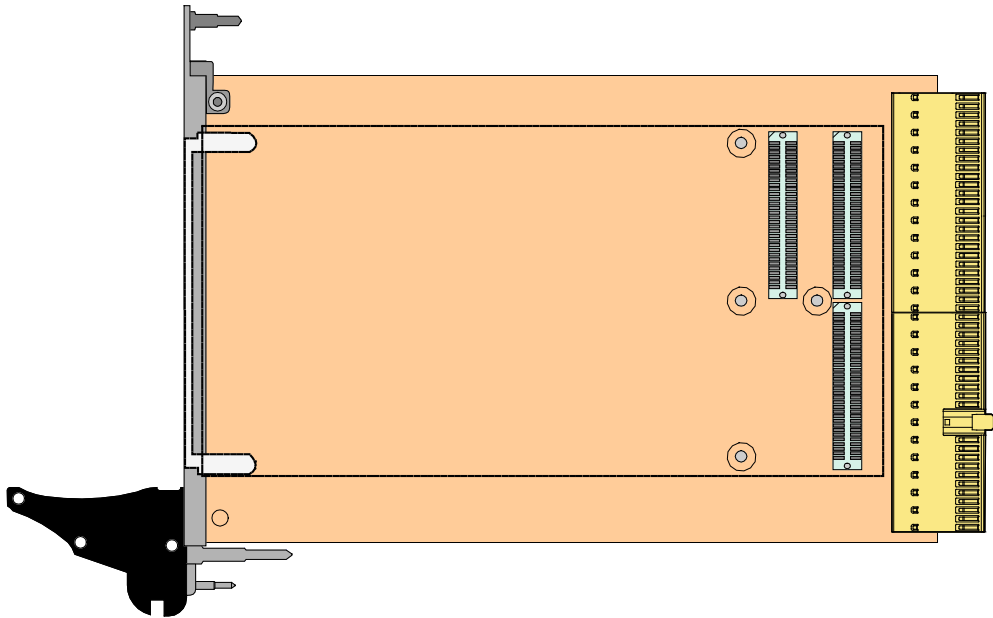
The use of PMC I/O on the J2/P2 connector (TCP270-11) precludes the use of 64 bit CompactPCI backplanes.

The TCP270 carrier complies with the PICMG 2.0 Revision 3.0 CompactPCI specification.

Operating temperature range is -40°C to +85°C.

Technical Information

- 3U 32 bit / 33 MHz CompactPCI module conforming to PICMG 2.0 Rev 3.0
 - PCI 2.2 compliant interface
 - Board size: 160 mm x 100 mm
 - PCI Interface: 33 MHz; 32 bit
 - 5V and 3.3V PCI I/O signaling voltage possible
- One PMC site conforming to PMC standard
- Front panel I/O
- CompactPCI rear I/O: Connector J2 optional
- Operating temperature -40°C to +85°C



Order Information

RoHS Compliant

TCP270-10R 3U 1 Slot Passive PMC Carrier, 32bit/33Mhz, PMC front I/O

TCP270-11R 3U 1 Slot Passive PMC Carrier, 32bit/33Mhz, PMC front I/O and rear I/O on J2

For the availability of non-RoHS compliant (lead solder) products please contact TEWS.

Documentation

TCP270-DOC User Manual

Related Products

TCP030-TM 3U Transition Module for 1 slot PMC Carrier, HD68 connector

TCP040-TM 3U Transition Module for 1 slot PMC Carrier, 1 PIM slot

TCP001-FP 6U Front Panel Extension for 3U cPCI Boards