

3U CompactPCI[®] Mass Storage Solution

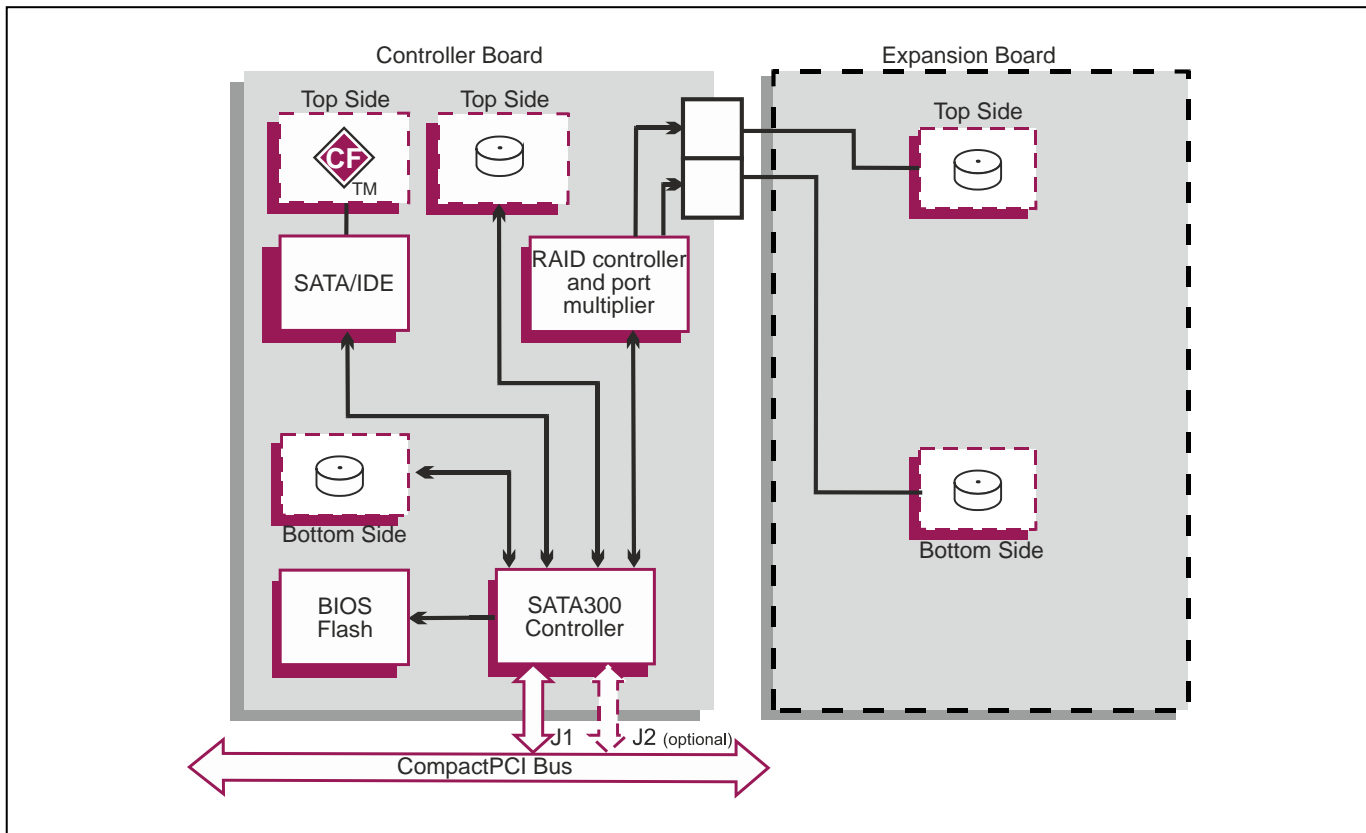
Key Features

The TP MS1/xxx is a 3U CompactPCI[®] mass storage solution.

- On-board storage options include:
 - two 2.5-inch SATA drives
 - one Type-I CompactFlash[®] module
- Expansion board storage for:
 - two 2.5-inch SATA drives
 - RAID 0 and 1 support
- Extended temperature variants available



3U 4HP Controller board with SATA300 drive shown (also available as 3U 8HP with dual SATA300 drives)



Mass Storage Module

- 3U CompactPCI® Mass Storage Controller board:
 - supports up to four SATA300 (and SATA150) 2.5 inch drives
- TP MS1/xxx supplied with up to four 2.5 inch SATA300 drives:
 - two drives on the controller board, includes Type-I CompactFlash® site
 - two off-board drive interfaces (including hardware RAID) to the expansion board, or elsewhere in the system chassis
- RAID modes supported for the two off-board drives:
 - FAST (RAID 0) and SAFE (RAID 1)
 - BIG (drive concatenation)
 - SAFE33 and SAFE50 (SAFE and BIG RAID modes combined)

Software Support

- supported operating systems depend on the 3U CompactPCI® system controller used

CompactPCI Bus Interface

- pinout conforms to PICMG 2.0 R3.0:
 - supports universal signaling
 - option for 32-bit or 64-bit CompactPCI® bus
 - supports 33MHz and 66MHz signaling
- bus interface via drive controller board
- drive expansion board requires power for its drives from backplane P1 connector

Electrical Specification

- 3.3V is required for the controller board, 5V is required for the SATA drives:
 - maximum 0.8A @3.3V
 - maximum 1.1A / disk @5V
- +12V@0.0A; -12V@0.0A

Safety

- PCB (PWB) manufactured with flammability rating of UL 94V-0

Environmental Specification

- operating temperatures:
 - depends on SATA drive fitted (N-Series)
 - -25°C to +70°C (E-Series)
 - -40°C to +85°C (K-Series)
- operating and non-operating temperatures:
 - contact local sales office
- Relative Humidity (non condensing):
 - contact local sales office
 - K-Series includes humidity sealant

Mechanical Specification

- 3U form-factor: 3.9 inches x 6.3 inches (100mm x 160mm)
- up to four SATA300 2.5 inch drives supported
- requires 1, 2, 3 or 4 CompactPCI® 4HP slots
- connectors: IEC-1076-4-101 for J1-J2



3U 4HP Controller board with CompactFlash site
(Hard disk drive omitted for clarity)



3U 8HP Expansion board with two SATA300 drives
(fits into a slot to the right of the controller board)