

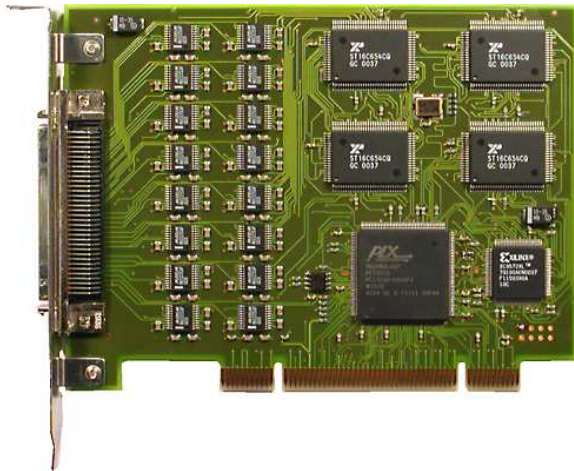
TPCI868 16 Channel Asynchronous Serial Interface

Application Information

The TPCI868 is a standard 33 MHz 32 bit PCI module and provides 16 channels of asynchronous RS232 serial interface. The TPCI868 requires 3.3V PCI power supply, but it can operate with 3.3V or 5.0V PCI signaling voltage for I/O.

The module uses a 14.7456 MHz crystal oscillator which allows baud rates up to 921.6 kbaud. All 16 serial channels can generate interrupts on the PCI bus. The interrupt status information can be accessed via the 16 bit wide interrupt status register.

For the serial interface the signals TxD, RxD, RTS#, CTS# and GND are available on the HD68 front panel connector.

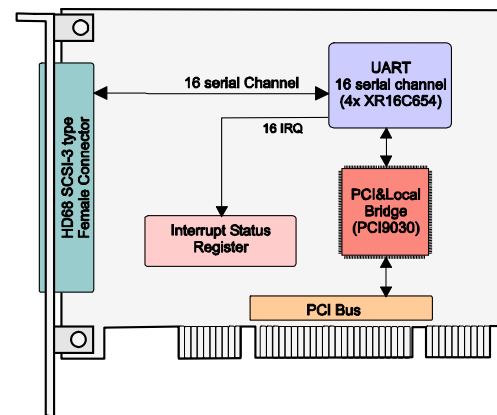


For First-Time-Buyers the Engineering Documentation TPMC861-ED is recommended. The Engineering Documentation includes TPCI868-DOC, schematics and data sheets of the TPCI868.

Software support (TPCI868-SW-xx) is available for different operating systems.

Technical Information

- PCI Card Interface
- PCI 2.2 compliant interface
- 3.3V and 5V PCI Signaling Voltage
- Size: 102 mm x 135 mm
- 16 channel asynchronous RS232 serial interface
- PCI signaling voltage for I/O 3.3V or 5.0V
- Support of TxD, RxD, RTS#, CTS# and GND per channel
- Baud rates up to 921.6 kbaud
- HD68 SCSI-3 type female connector



Order Information

RoHS Compliant

TPCI868-10R 16 Channel Asynchronous Serial Interface

None RoHS Compliant

TPCI868-10 None RoHS compliant version of TPCI868-10R

Documentation

TPCI868-DOC User Manual

TPCI868-ED Engineering Documentation, includes TPMC868-DOC

Software

TPCI868-SW-25 Integrity Software Support

TPCI868-SW-42 VxWorks Software Support (Legacy and VxBus-Enabled Software Support)

TPCI868-SW-65 Windows XP/XPE/2000 Software Support

TPCI868-SW-72 LynxOS Software Support

TPCI868-SW-82 LiNIX Software Support

TPCI868-SW-95 QNX 6 Software Support

For other operating systems please contact TEWS.

Related Products

TA304 Cable Kit for modules with HD68 connector