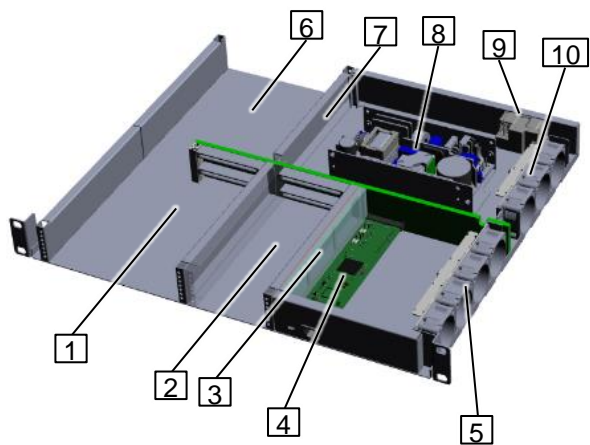
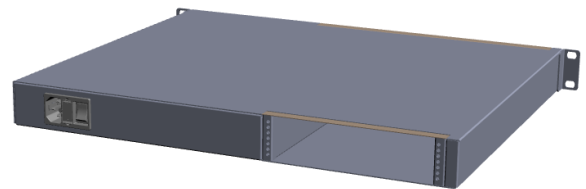
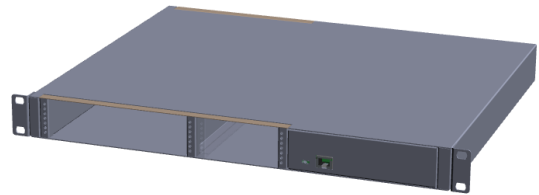


## SCHROFF MTCA.4 1U System with eMCH

**Data Sheet Rev. 1.0 – 2018-08-24**

The new nVent SCHROFF 1U MTCA.4 with integrated “eMCH” is developed for designers of high performance applications. This exciting product delivers a cost efficient system in a small form factor without compromising fast transfer rates for high data volumes. The integration of the MCH, power supply and cooling unit dramatically reduces the cost of a system while still providing sound infrastructure.

The 4-slot SCHROFF MicroTCA System is designed to accommodate two double Mid-size AMC modules with RTM and 2 Single Mid-size AMCs for maximum computing power in minimal space. The integrated eMCH, power supply and cooling unit allow easy servicing. The SCHROFF MTCA.4 1U System contains power and cooling management mechanisms to ensure a high degree of reliability. The system components are linked directly to the existing network infrastructure using a 1GbE switch connected to a 1GbE uplink.



- Two Double Mid-size AMC slots with RTM slots
- Two Single Mid-size AMC slots
- Embedded MCH with GbE uplink and USB interface
- Wide range (100 ... 240 VAC) AC power input on chassis back side
- Built-in 400 W PSU and MTCA Power Management
- Built-in fan unit with MTCA Cooling Unit Management
- Side-to-side cooling with air filter
- 1 U height, 19” width, 373 mm depth
- Fat pipe /extended fat pipe lanes prepared for 40GbE and PCIe Gen3

1: Card cage for 2x Double Mid-size MTCA.4 AMC modules; 2: Card cage for 2x Single Mid-size AMC modules; 3: Front air filter; 4: Embedded MCH; 5: Front fans; 6: Card cage for 2x Double Mid-size RTMs; 7: Rear air filter; 8: 400 W PSU; 9: Wide range AC mains input with switch, filter and fuse; 10: Rear fans

### Backplane

- GbE Links from MCH to all AMC Slots
- Direct S-ATA / SAS connections in between adjacent AMC Slots
- Fat pipe and extended fat pipe direct AMC to AMC connections
- FCLK for PCIe Gen3 clock generated on backplane
- FCLKB for PCIe Gen3 clock generated on backplane
- eMCH / Backplane provide power and cooling unit functionality

### Order Information

Description	Item number
1U MTCA.4 System with eMCH	11850-029

### Delivery comprises

MicroTCA system, 1 U, 84 HP, 373 mm deep, black powder coated. 2x Double Mid-size AMC slots with corresponding RTM slots, 2x Single Mid-size Slots, eMCH, 7 fans, air filters for front and rear side, 400W PSU, mains inlet connector with switch, fuse and filter, MTCA backplane with AMC connectors and management logic

