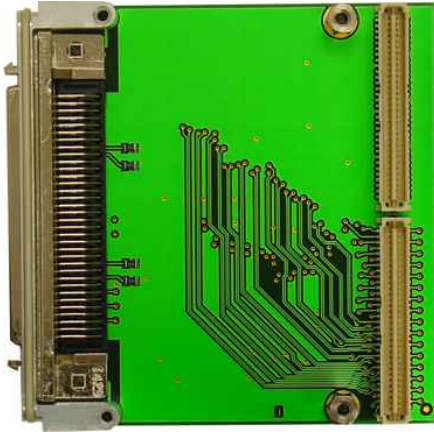


## TPIM003 PIM I/O Module with 68 pin Connector

### Application Information

The TPIM003 is a standard single-width PIM I/O module to be used with any PIM Carrier like TEWS' TCP020-TM, TVME020-TM or others. It offers easy access to the PMC back I/O lines of PMC carriers with back I/O like TEWS' TCP260 or TVME8400.



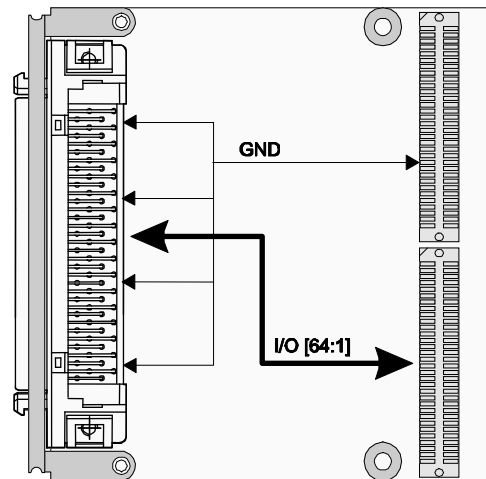
The TPIM003 distributes all 64 PMC back I/O lines to a 68 pin SCSI-3 type connector located in the EMI front panel. Additional GND pins are inserted by solder jumpers at pin 9, 26, 43 and 60 of the 68 pin SCSI-3 type connector. The routing and I/O signal mapping of the TPIM003 is optimized for differential pair routing.

The TPIM003 recreates the PMC front I/O signal mapping in its 68 pin SCSI-3 type connector when used with e.g. the TPMC460, TPMC630 or TPMC868. Refer to the TPMC Data Sheets to find out if the TPIM003 recreates the PMC front I/O signal mapping in its 68 pin SCSI-3 type connector.

The operating temperature is -40°C to +85°C.

### Technical Information

- Standard single-width PIM I/O Module
- Board size: 69 mm x 74 mm
- I/O lines are routed to a HD68 SCSI-3 type connector in the front panel
- EMI Front Panel
- Operating Temperature: -40°C to +85°C



### Order Information

- |                    |  |
|--------------------|--|
| <b>TPIM003-10R</b> | PIM I/O Module with HD68 SCSI-3 type connector for e.g. TPMC460, TPMC630 and TPMC868 |
| <b>TPIM003-10</b>  | None RoHS compliant version of TPIM003-10R   |
| <b>TPIM003-DOC</b> | User Manual  |