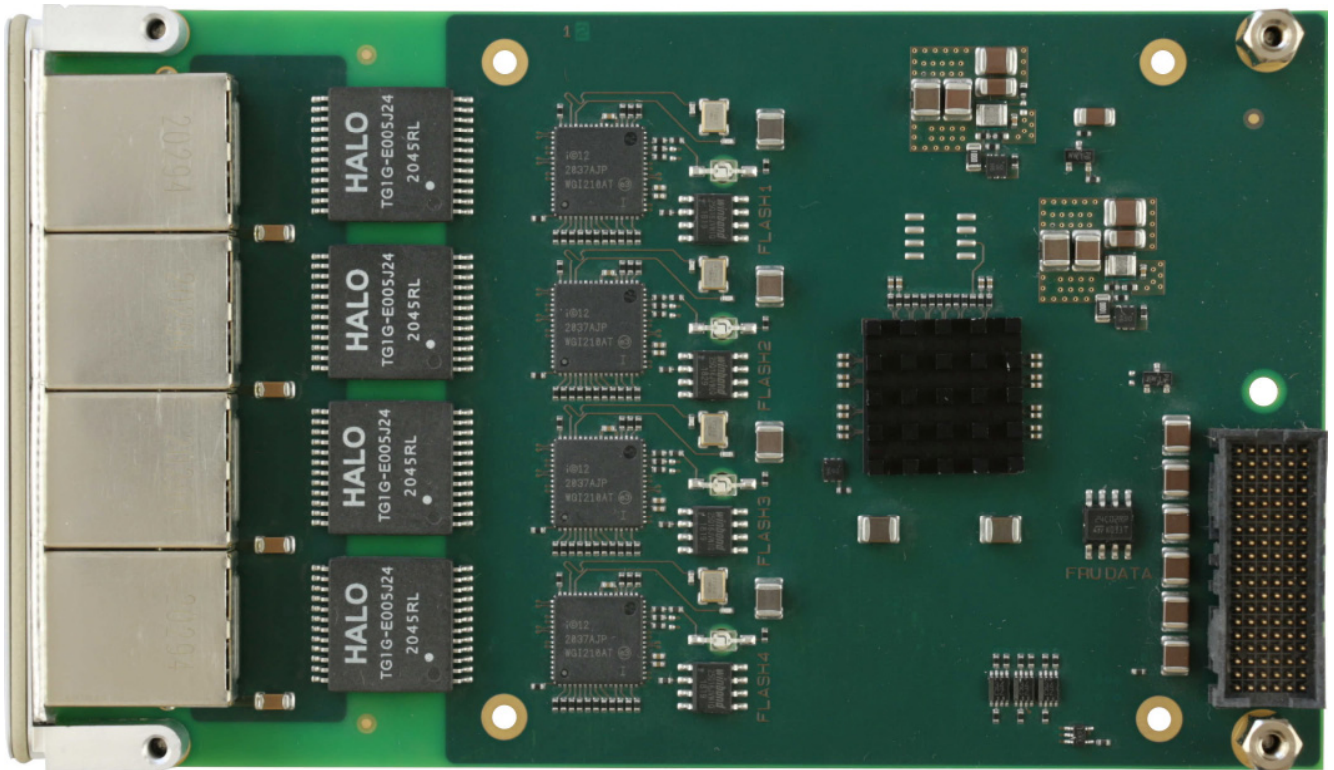


TXMC895 Four Channel 10/100/1000 Mbit/s Ethernet



TXMC895-10R

Application Information

The TXMC895 is a Switched Mezzanine Card (XMC) compatible module providing a four channel Ethernet 10Base-T / 100Base-TX / 1000Base-T interface.

A PCIe Switch provides access to the Intel I210IT Gigabit Ethernet controllers. Each Ethernet interface supports 10, 100 and 1000 Mbit/s transmission rates and is equipped with a 16 Mbit Serial Flash to support PXE and iSCSI boot.

The four Ethernet interfaces of the TXMC895 are capable of performing an auto negotiation algorithm which allows both link-partners to determine the best link-parameters. The TXMC895 supports IEEE 1588/802.1AS Precision Time Protocol (PTP) and IEEE 802.1Qav Audio/Video Bridging (AVB) traffic shaping (with software extensions).

The TXMC895-10R provides four 10/100/1000 Mbit/s Ethernet connections via front panel RJ45 connectors.

All ports are galvanically isolated from the Ethernet controllers and LEDs on the board indicate the different network activities.

The module meets the requirements to operate in extended temperature range from -40°C to +85°C.

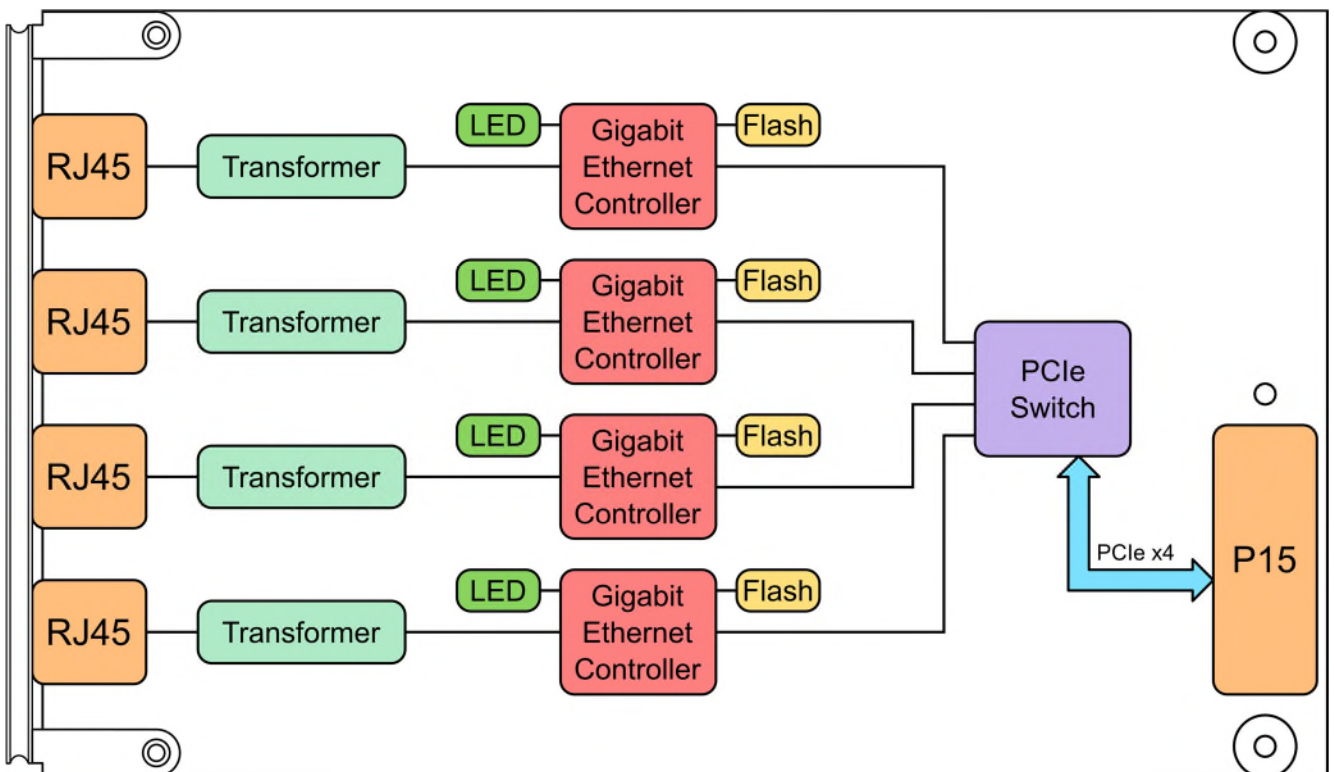
Software Support:

- Software support for Intel I210IT at www.intel.com
- For operating systems not supported by Intel, please contact TEWS.

The Embedded I/O Company

Technical Information

- Form Factor: Short single-width XMC module conforming to ANSI/VITA 42.0
 - Board size: 124 mm x 74 mm
- x4 PCI Express 2.1 compliant interface conforming to ANSI/VITA 42.3
- IPMI resource: FRU hardware definition information stored in on-board EEPROM
- Four Intel I210IT Gigabit Ethernet controllers
- Four RJ45 connectors
- 1000Base-T
- 100Base-TX
- 10Base-T
- IEEE 1588/802.1AS Precision Time Protocol (PTP)
 - V1 and V2 PTP frame format
- IEEE 802.1Qav Audio/Video Bridging (AVB) traffic shaper (with software extensions)
- 16 Mbit serial flash for every channel storing configuration data and providing memory for Boot ROM
- Operating temperature -40°C to +85°C, constant airflow of 2m/s is required
- MTBF (MIL-HDBK217F/FN2 G_B 20°C) TXMC895-10R: 581000 h



Order Information

RoHS Compliant

TXMC895-10R Four Channel 10/100/1000 Mbit/s Ethernet, Intel I210IT, RJ45

For the availability of non-RoHS compliant (lead solder) products please contact TEWS.

Documentation

TXMC895-DOC User Manual